

FISHFINDER 140 FLUSH MOUNT INSTRUCTIONS

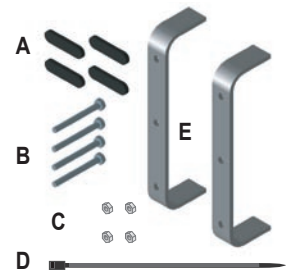
Flush Mount Pocket:

Mounts to the bulkhead and retains the unit.



Mounting Hardware:

- A—Foam rubber pads (4)
- B—M4 x 40 mm hex head screws (4)
- C—M4 hex nuts (4)
- D—Reusable cable tie (1)
- E—Metal retaining brackets (2)



Tool List (Not Included):

- Jig saw
- 7 mm wrench or socket
- Masking tape
- Phillips screwdriver
- Drill and 3/8" (10 mm) drill bit
- Thread locking compound
- Safety glasses and dust mask

Read these instructions thoroughly, and make sure you completely understand them before you attempt installation. If you have difficulty with the installation, contact Garmin Product Support or a professional installer. Verify that the power cable and the transducer cable can reach the unit and the transducer location before beginning installation. Check the packing list above. If you are missing any items, contact your Garmin dealer. Wear safety glasses and a dusk mask when drilling and cutting.

Installing the Flush Mount Pocket

1. Determine a proper mounting location, and tape the supplied mounting template in place. Check behind the installation area to avoid cutting or drilling into wiring.
2. Drill a 3/8" (10 mm) hole at the location indicated on the template as a starting point. Use a jig saw to cut the panel along the inside of the indicated line. Be sure that your cut does not go outside the line.
3. Test fit the pocket. If adjustments to the cutout are necessary, use a file and sandpaper to refine the fit of the pocket.
4. Install the foam rubber pads onto the pocket (Figure 1). To install the pads, peel the lining off of the back, and install them with the sticky side against the pocket.
5. Insert the pocket into the panel with the Garmin logo positioned at the top. Use a thread-locking compound on the M4 hex head screws. Install a M4 hex head screw through the pocket and the corresponding hole in the metal retaining bracket (Figure 2). Start an M4 hex nut on the screw. Repeat the process until all four hex nuts are started. Tighten the M4 hex nuts using a 7 mm wrench or socket.
6. Secure the cable to the rectangular slot on the left side of the pocket or one of the metal retaining brackets with the provided cable tie. Leave approximately 18" (50 cm) of cable extending through the pocket to help with the installation and removal of the unit.



Figure 1: Fishfinder 140 Pocket

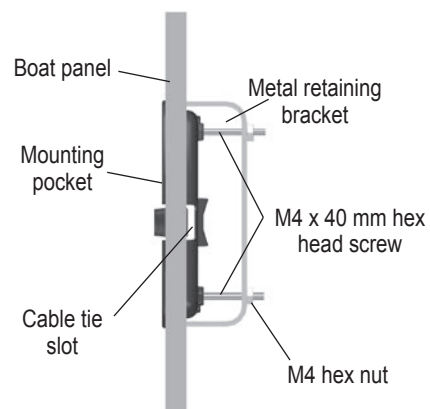


Figure 2: Panel Side View

Installing or Removing the Fishfinder

1. Connect the wiring harness to the back of the Fishfinder. Make sure the locking ring is fully tightened.
2. Slide the Fishfinder into the pocket (Figure 3). It might be necessary to apply some pressure when inserting the assembly into the pocket to compress the foam rubber pads. When the Fishfinder is fully inserted, the lock tabs click into place (Figure 4).
3. To remove the unit from the pocket, press the lock tabs toward the unit while sliding the unit out of the pocket (Figure 4).



Figure 3



Lock Tabs
Figure 4



© Copyright 2006 Garmin Ltd. or its subsidiaries

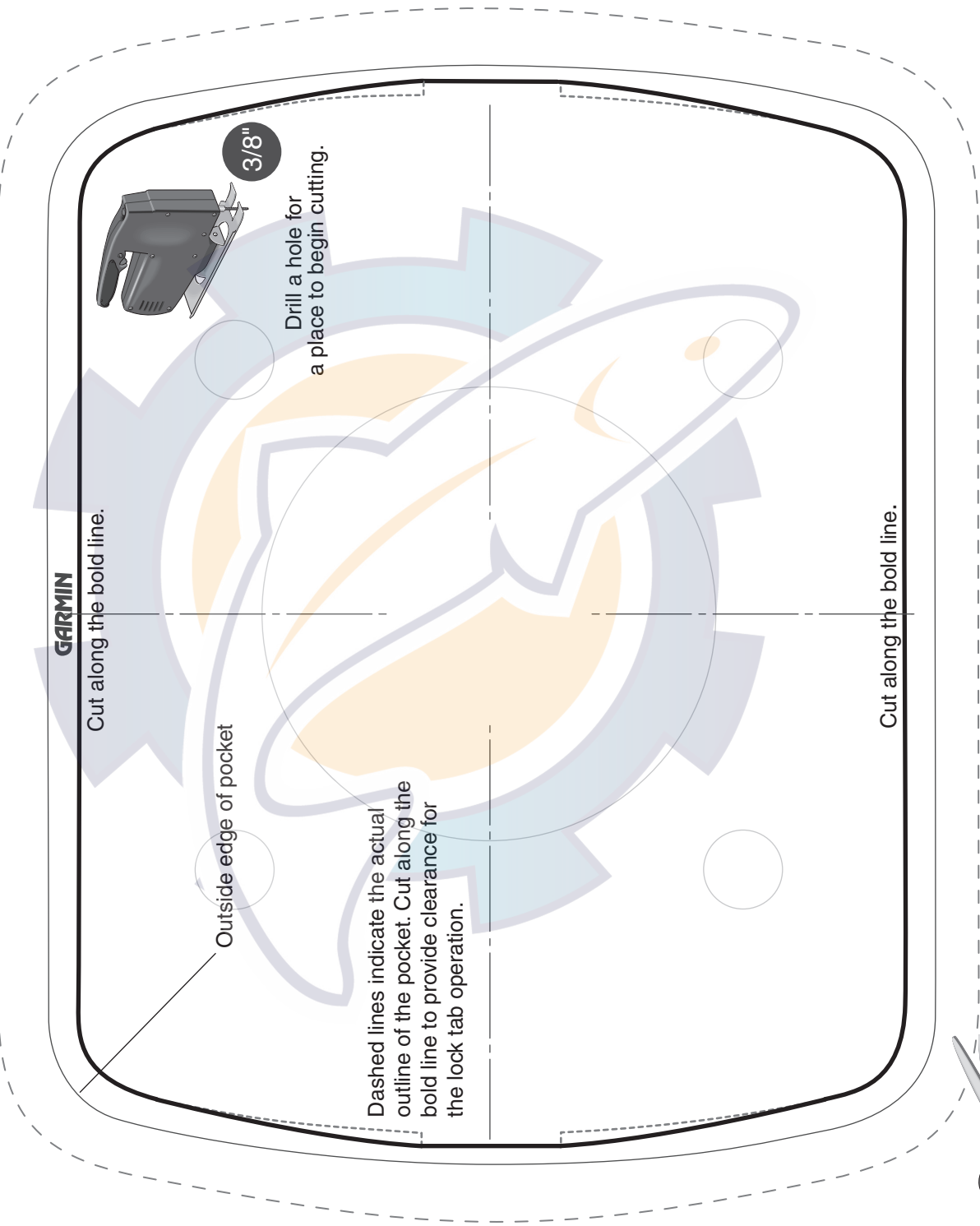
Garmin International, Inc.
1200 E 151st Street, Olathe, Kansas 66062 U.S.A.
Tel. 913/397.8200
Fax. 913/397.8282

Garmin (Europe) Ltd.
Unit 5, The Quadrangle, Abbey Park Industrial Estate, Romsey, SO51 9AQ U.K.
Tel. 44/0870.8501241
Fax. 44/0870.8501251

Garmin Corporation
No. 68, Jangshu 2nd Road, Shijr, Taipei County, Taiwan
Tel. 886/2.2642.9199
Fax. 886/2.2642.9099



Fishfinder 140 Flush Mount Template



GARMIN

Cut along the bold line.

Outside edge of pocket

3/8"

Drill a hole for a place to begin cutting.

Dashed lines indicate the actual outline of the pocket. Cut along the bold line to provide clearance for the lock tab operation.

Cut along the bold line.

Trim along the dashed line.

